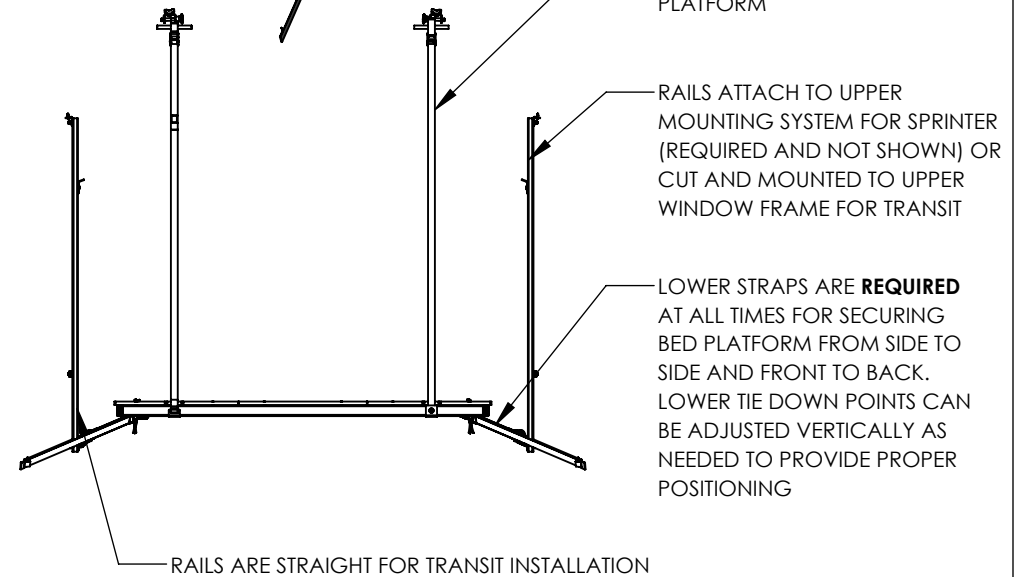


BED PLATFORM CAN BE RAISED TO APPROXIMATELY 5" FROM CEILING AND DOWN TO 15" FROM FLOOR



4 UPPER STRAPS ADJUST VERTICAL LOCATION OF BED PLATFORM

RAILS ATTACH TO UPPER MOUNTING SYSTEM FOR SPRINTER (REQUIRED AND NOT SHOWN) OR CUT AND MOUNTED TO UPPER WINDOW FRAME FOR TRANSIT

LOWER STRAPS ARE **REQUIRED** AT ALL TIMES FOR SECURING BED PLATFORM FROM SIDE TO SIDE AND FRONT TO BACK. LOWER TIE DOWN POINTS CAN BE ADJUSTED VERTICALLY AS NEEDED TO PROVIDE PROPER POSITIONING

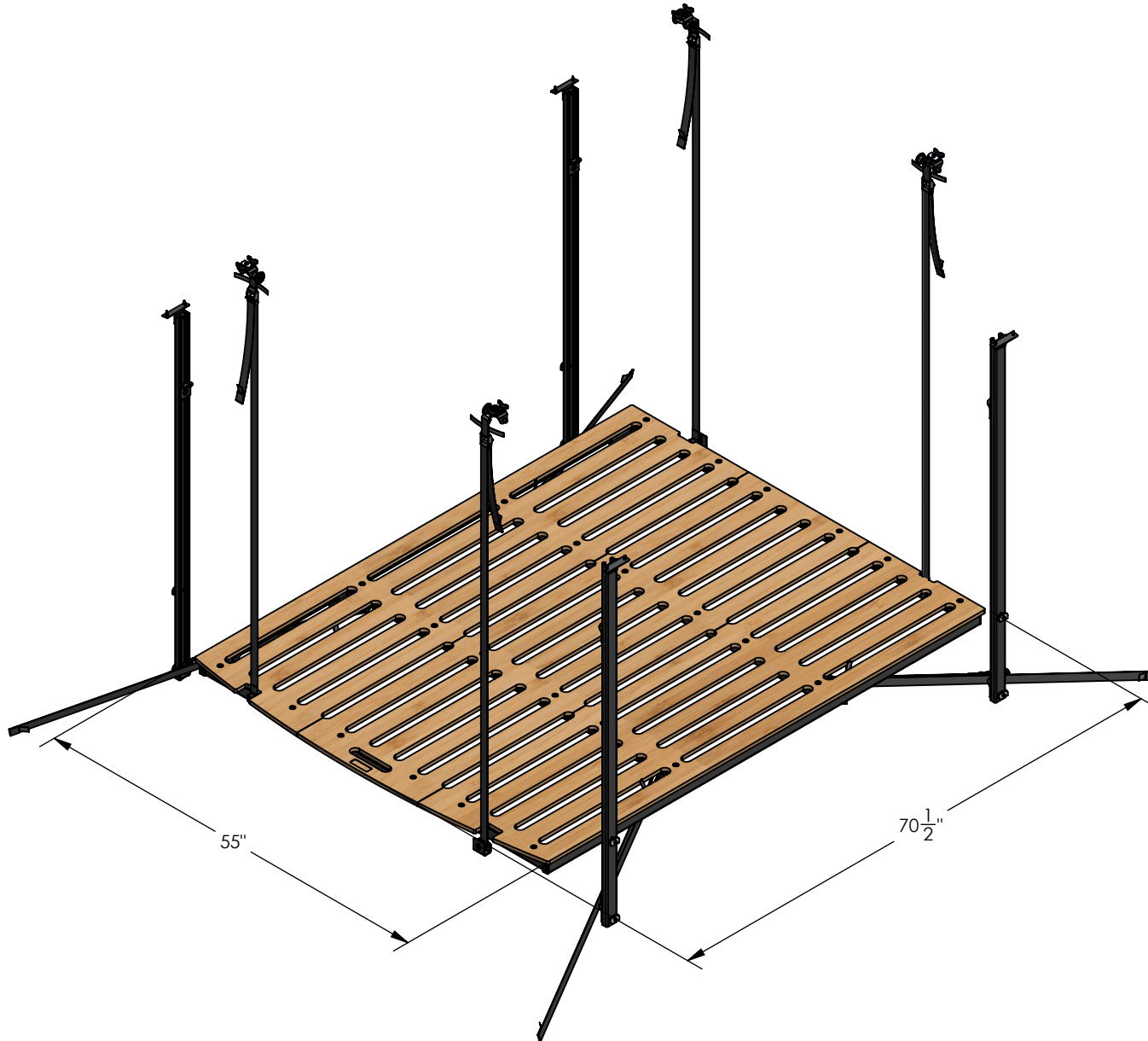
RAILS ARE STRAIGHT FOR TRANSIT INSTALLATION

APPROXIMATE WEIGHT: 90.1 LBS.



RV28 STANDARD STRAPUP BED TRANSIT CUSTOMER SPEC SHEET

ROOST VANS, LLC  
PORTLAND, OREGON  
WWW.ROOSTVANS.COM



APPROXIMATE WEIGHT: 90.1 LBS.



**RV28 STANDARD STRAPUP BED TRANSIT CUSTOMER SPEC SHEET**

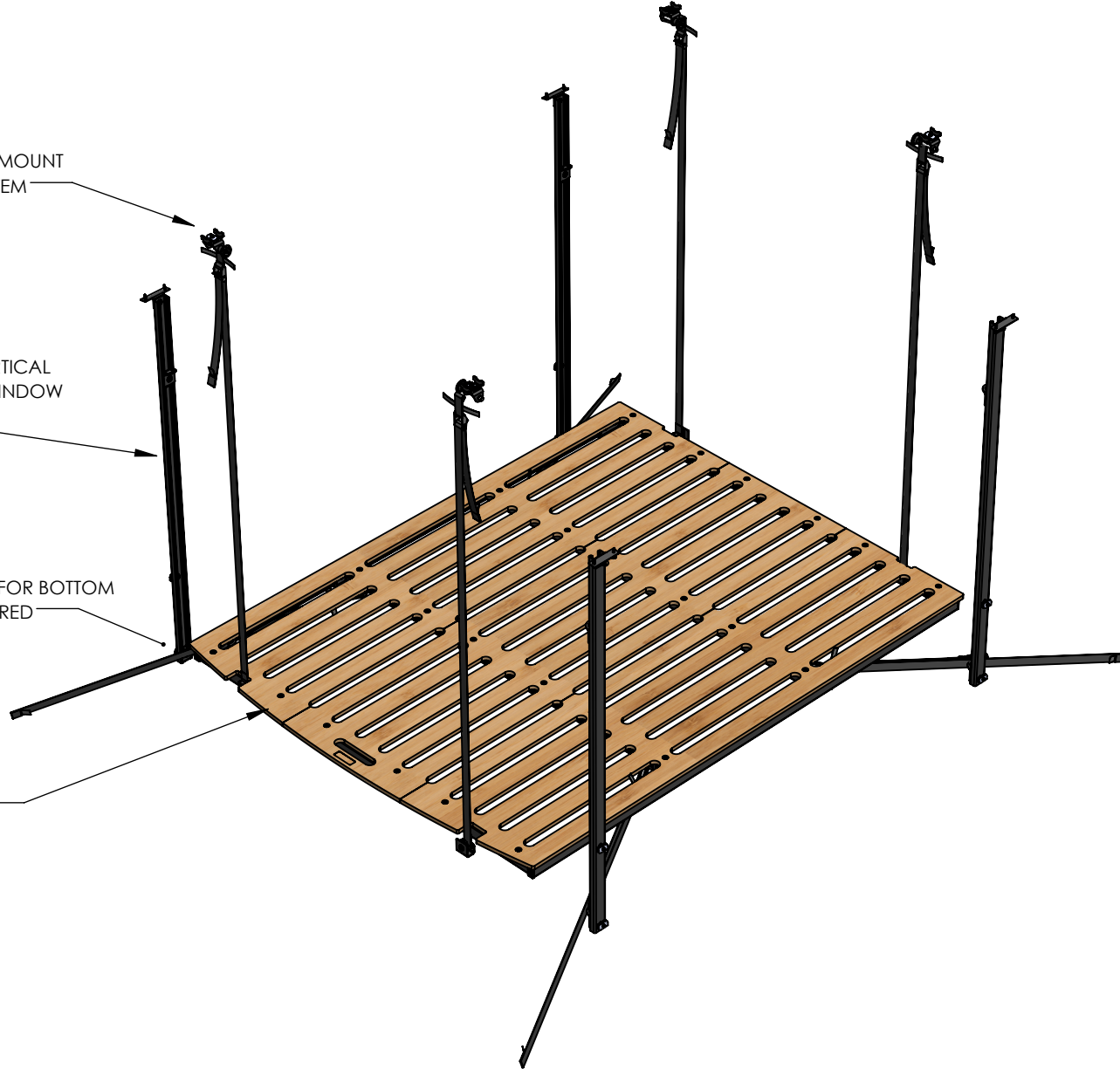
ROOST VANS, LLC  
PORTLAND, OREGON  
WWW.ROOSTVANS.COM

HARDWARE INCLUDED TO MOUNT  
TO ROOST MOUNTING SYSTEM

TRANSIT INSTALLATION: VERTICAL  
RAILS ATTACH TO UPPER WINDOW  
FRAME

LOWER TIE DOWN POINTS FOR BOTTOM  
STRAPS WHILE BED IS LOWERED

3 PLY FINISHED BAMBOO



PLATFORM CAN BE USED TO COMPRESS BEDDING TO CEILING

UPPER TIE DOWN POINTS FOR BOTTOM STRAPS WHILE BED IS RAISED

VERTICAL ADJUSTABLE STRAPS SUPPORT PLATFORM

BOTTOM STRAPS CONTROL SWAY OF PLATFORM

