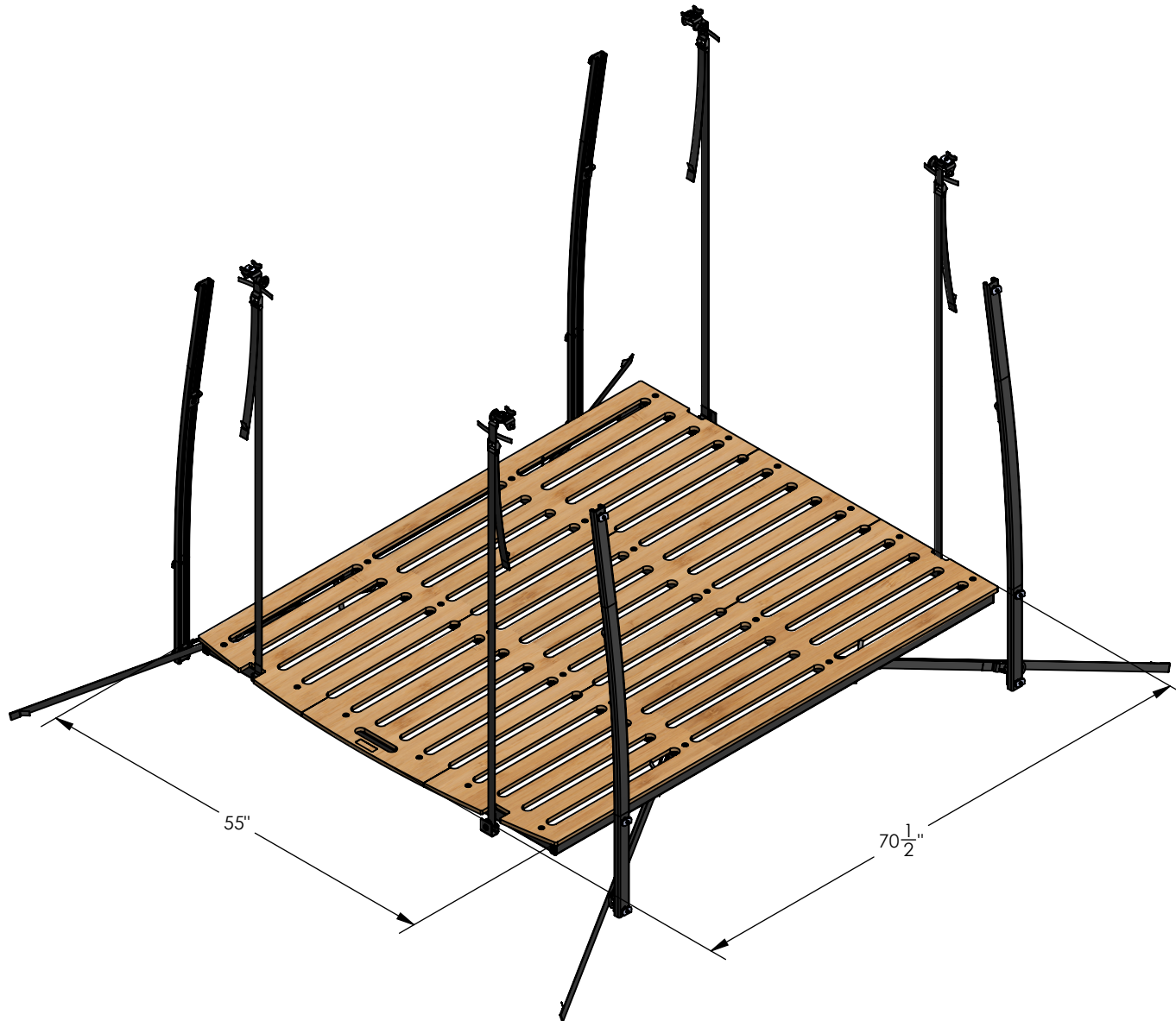


APPROXIMATE WEIGHT: 94.9 LBS.



RV27 STANDARD STRAPUP BED SPRINTER CUSTOMER SPEC SHEET

ROOST VANS, LLC
 PORTLAND, OREGON
 WWW.ROOSTVANS.COM



APPROXIMATE WEIGHT: 94.9 LBS.



RV27 STANDARD STRAPUP BED SPRINTER CUSTOMER SPEC SHEET

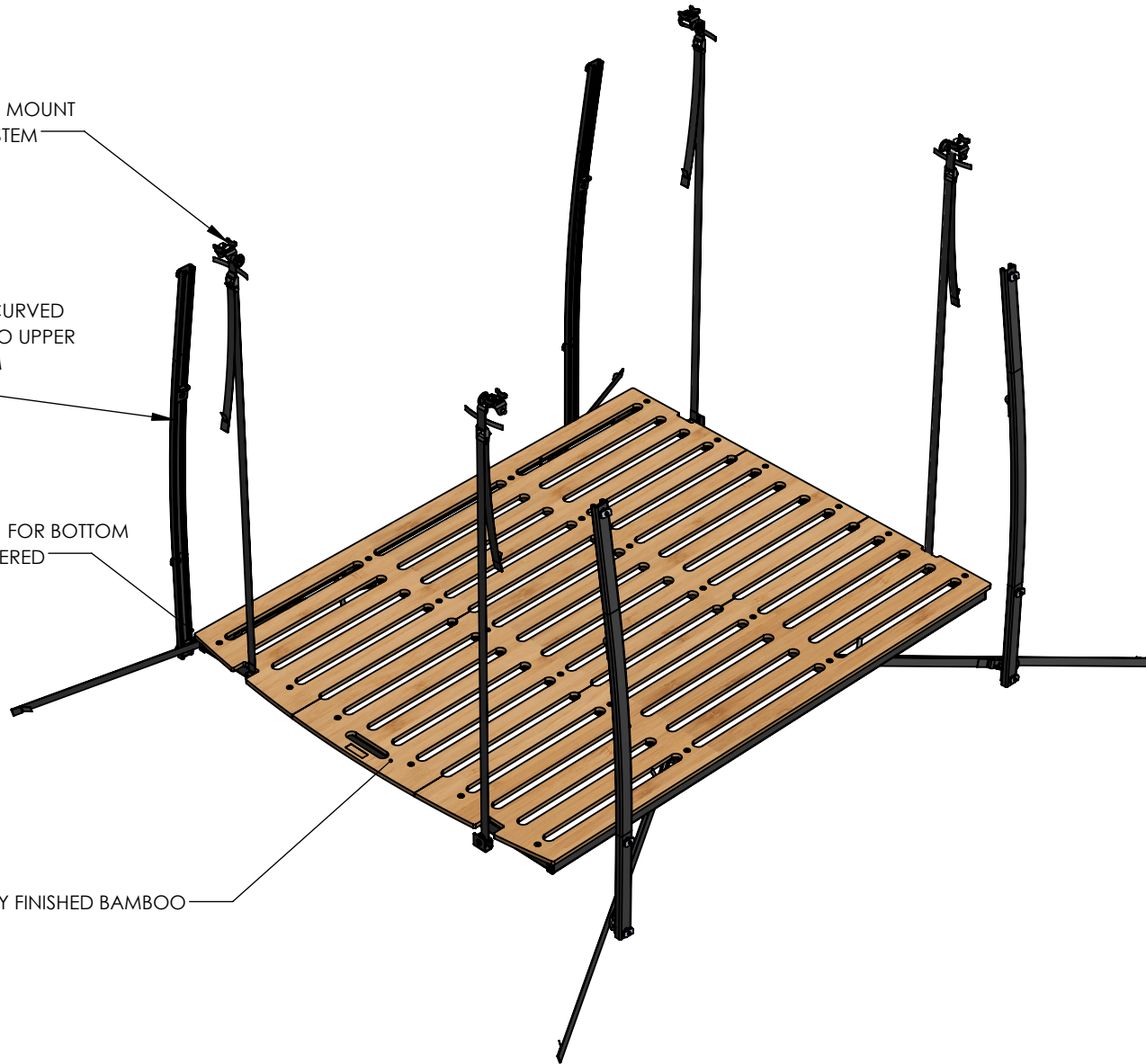
ROOST VANS, LLC
PORTLAND, OREGON
WWW.ROOSTVANS.COM

HARDWARE INCLUDED TO MOUNT
TO ROOST MOUNTING SYSTEM

SPRINTER INSTALLATION: CURVED
VERTICAL RAILS ATTACH TO UPPER
UPPER MOUNTING SYSTEM
(REQUIRED)

LOWER TIE DOWN POINTS FOR BOTTOM
STRAPS WHILE BED IS LOWERED

3 PLY FINISHED BAMBOO



PLATFORM CAN BE USED TO COMPRESS BEDDING TO CEILING

UPPER TIE DOWN POINTS FOR BOTTOM STRAPS WHILE BED IS RAISED

VERTICAL ADJUSTABLE STRAPS SUPPORT PLATFORM

BOTTOM STRAPS CONTROL SWAY OF PLATFORM

