

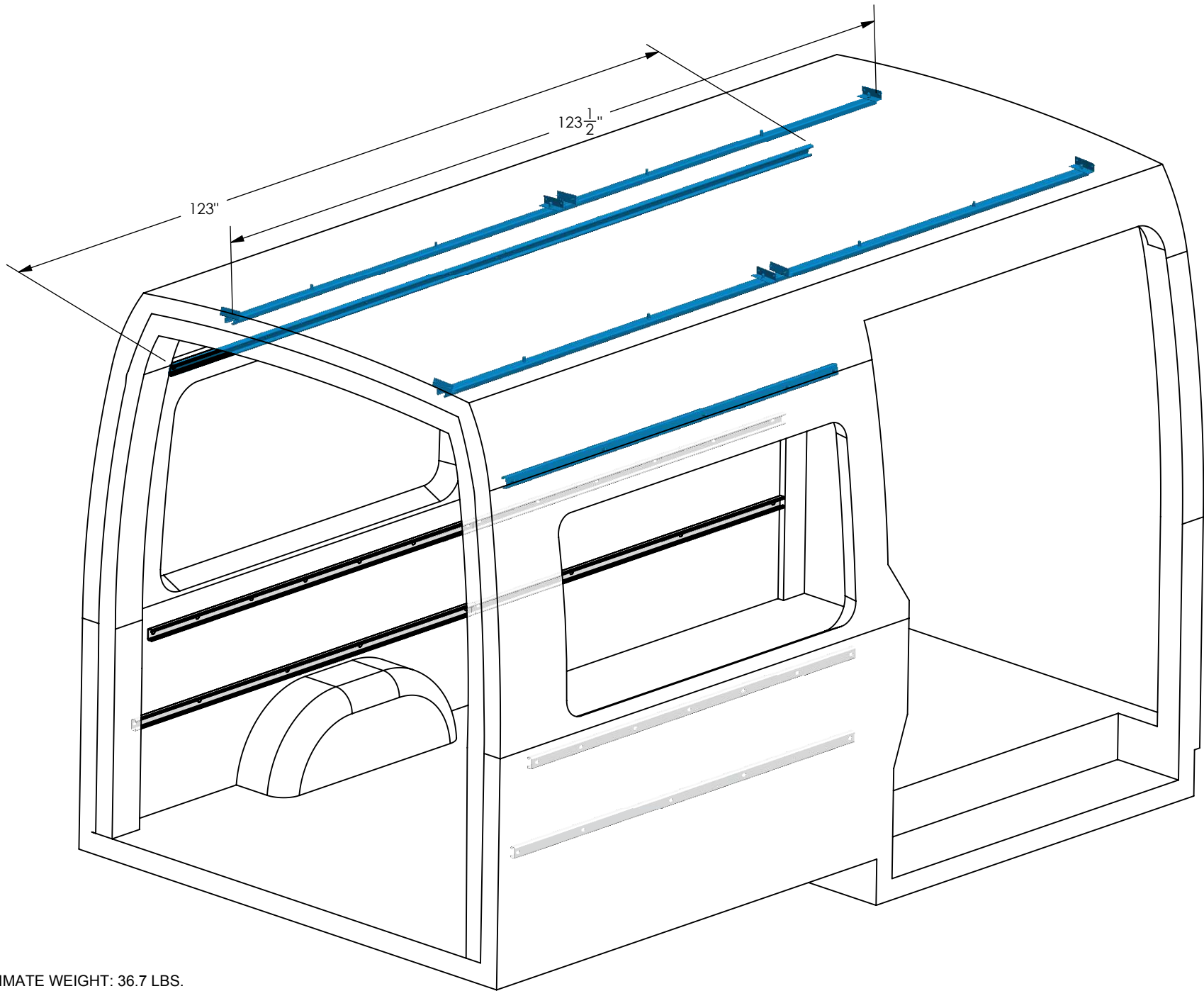
APPROXIMATE WEIGHT: 36.7 LBS.



**RV05-00 UPPER MOUNTING SYSTEM 144WB SPRINTER CUSTOMER SPEC SHEET**

ROOST VANS, LLC  
 PORTLAND, OREGON WWW.ROOSTVANS.COM 971.236.6684

THIS DOCUMENT CONTAINS CONFIDENTIAL AND PROPRIETY INFORMATION THAT CANNOT BE REPRODUCED OR DIVULGED, IN WHOLE OR IN PART WITHOUT AUTHORIZATION FROM ROOST VANS, INC.



APPROXIMATE WEIGHT: 36.7 LBS.

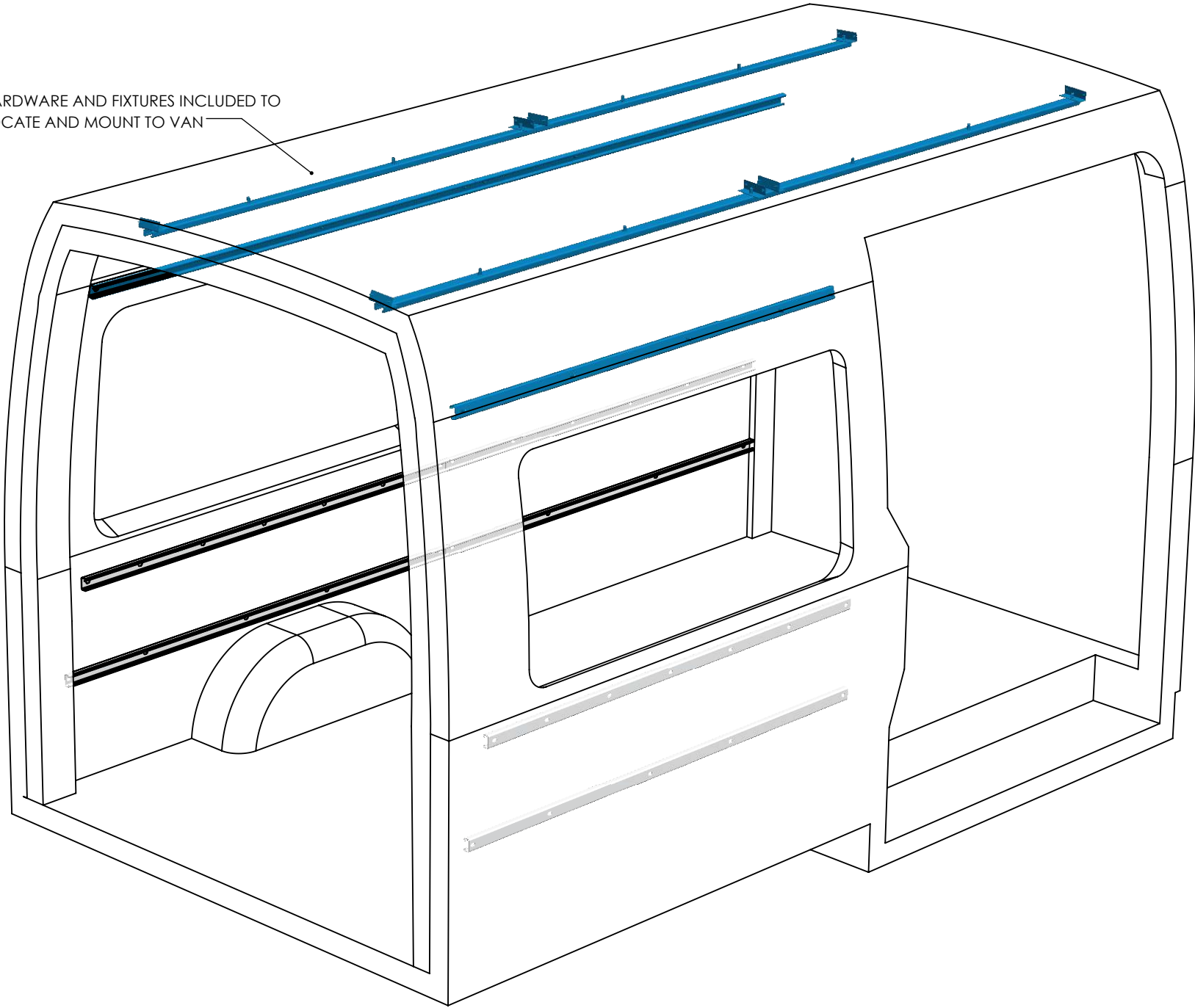


**RV05-00 UPPER MOUNTING SYSTEM 144WB SPRINTER CUSTOMER SPEC SHEET**

ROOST VANS, LLC  
PORTLAND, OREGON WWW.ROOSTVANS.COM 971.236.6684

THIS DOCUMENT CONTAINS CONFIDENTIAL AND PROPRIETY INFORMATION THAT CANNOT BE REPRODUCED OR DIVULGED, IN WHOLE OR IN PART WITHOUT AUTHORIZATION FROM ROOST VANS, INC.

HARDWARE AND FIXTURES INCLUDED TO  
LOCATE AND MOUNT TO VAN



**RV05-00 UPPER MOUNTING SYSTEM 144WB SPRINTER CUSTOMER SPEC SHEET**

ROOST VANS, LLC  
PORTLAND, OREGON WWW.ROOSTVANS.COM 971.236.6684

THIS DOCUMENT CONTAINS CONFIDENTIAL AND PROPRIETY INFORMATION THAT CANNOT BE REPRODUCED OR DIVULGED, IN WHOLE OR IN PART WITHOUT AUTHORIZATION FROM ROOST VANS, INC.