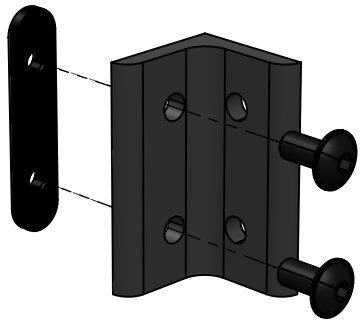


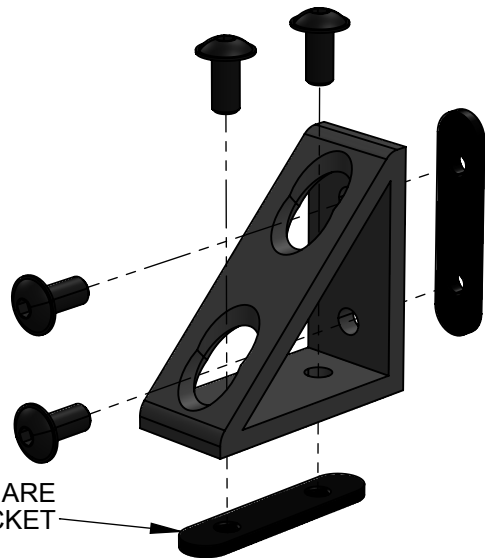
RV14 ROOF RACK SPRINTER END USER ASSM INST MANUAL

ROOST VANS, LLC
 PORTLAND, OREGON WWW.ROOSTVANS.COM 971.236.6684

THIS DOCUMENT CONTAINS CONFIDENTIAL AND PROPRIETY INFORMATION THAT CANNOT BE REPRODUCED OR DIVULGED, IN WHOLE OR IN PART WITHOUT AUTHORIZATION FROM ROOST VANS, INC.

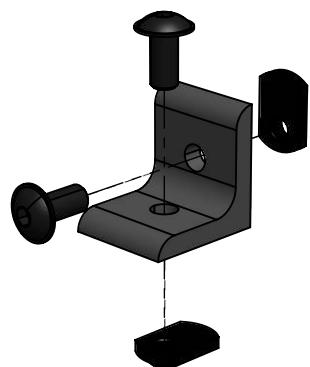


LOOSELY PREASSEMBLE
2 DOUBLE BRACKETS

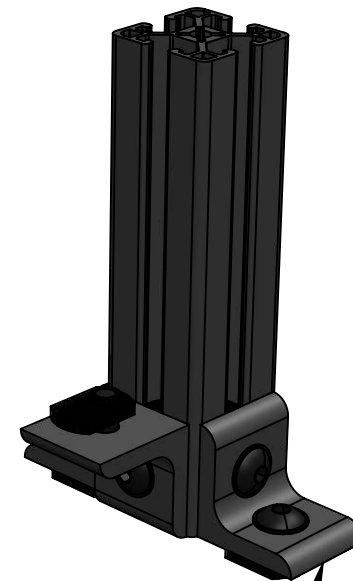
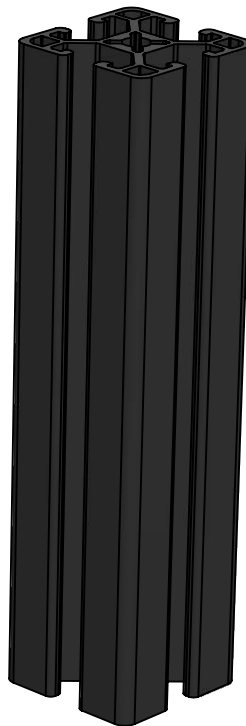


NOTE: FLAT SIDE OF T NUTS ARE ALWAYS TOWARDS BRACKET

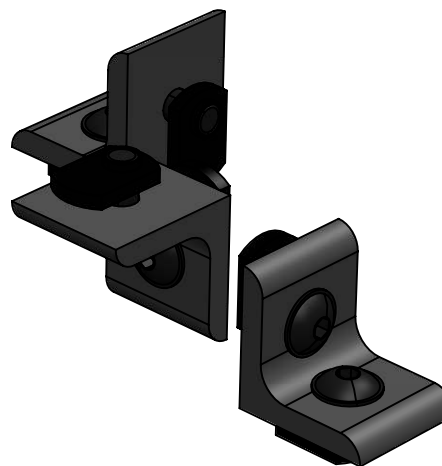
LOOSELY PREASSEMBLE
1 GUSSET BRACKET



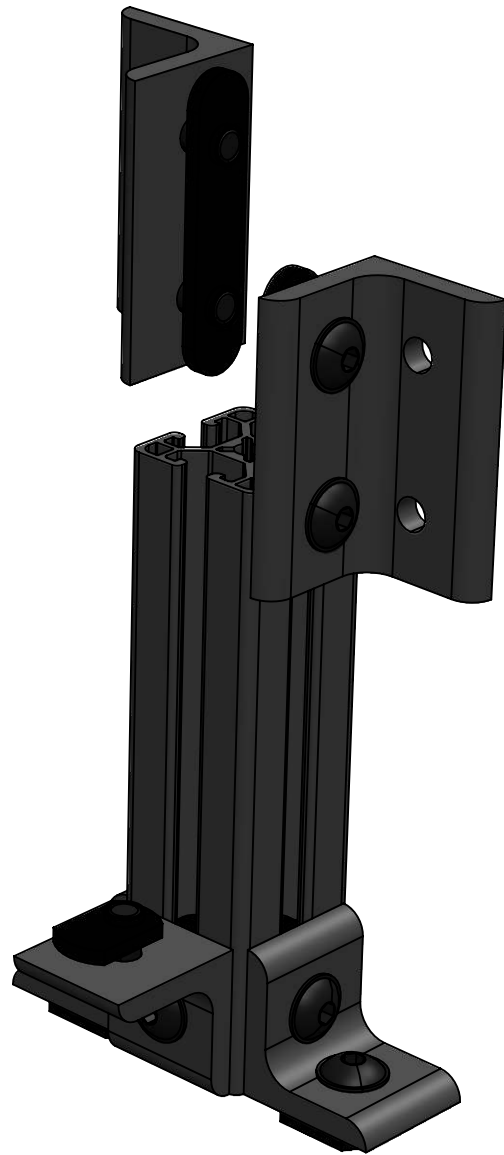
LOOSELY PREASSEMBLE
6 LBRACKETS



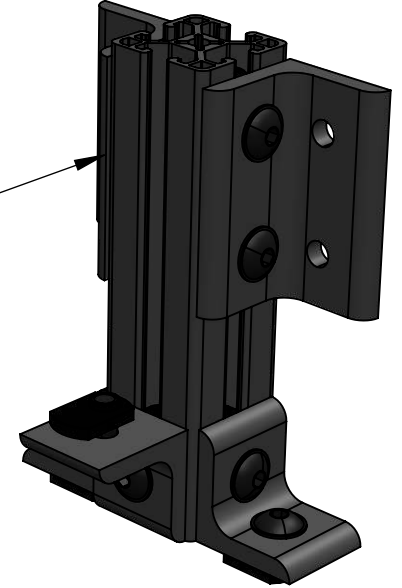
ENSURE L BRACKETS AND
EXTRUSION ARE FLAT TO
EACHOTHER



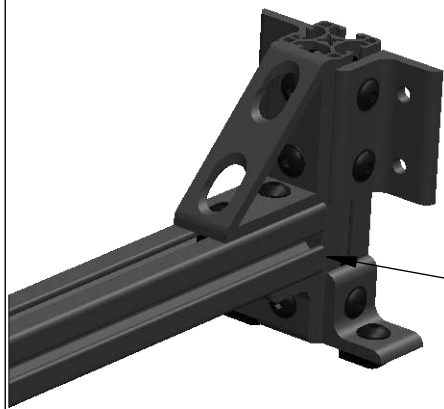
STEP 1:
INSTALL 3 L BRACKETS ON MEDIUM LENGTH EXTRUSION AND TIGHTEN



DOUBLE L BRACKETS CAN BE ADJUSTED TO POSITION AWNING



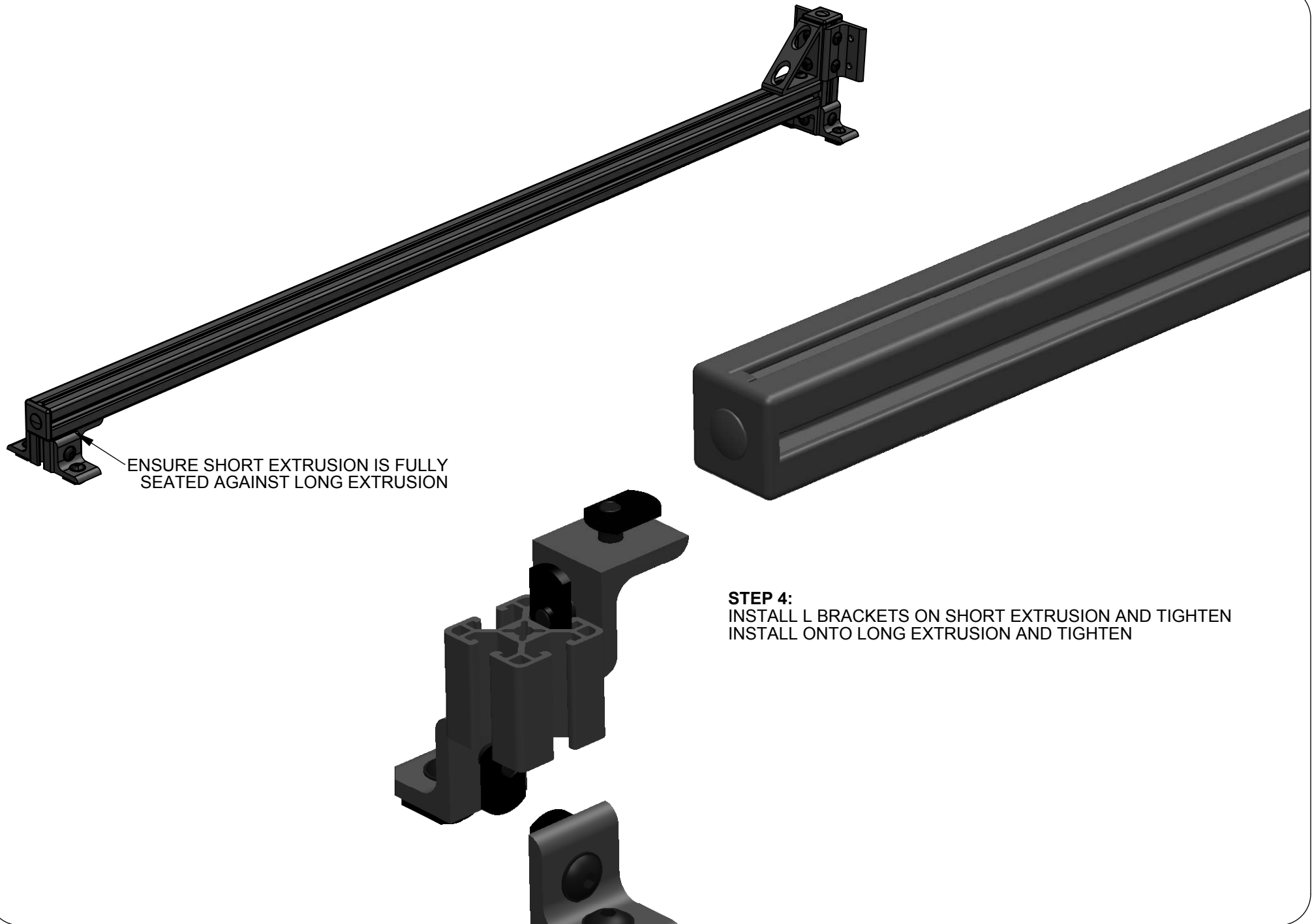
STEP 2:
INSTALL 2 DOUBLE L BRACKETS ON MEDIUM LENGTH EXTRUSION AND LIGHTLY TIGHTEN



ENSURE LONG EXTRUSION IS FULLY SEATED AGAINST MEDIUM LENGTH EXTRUSION

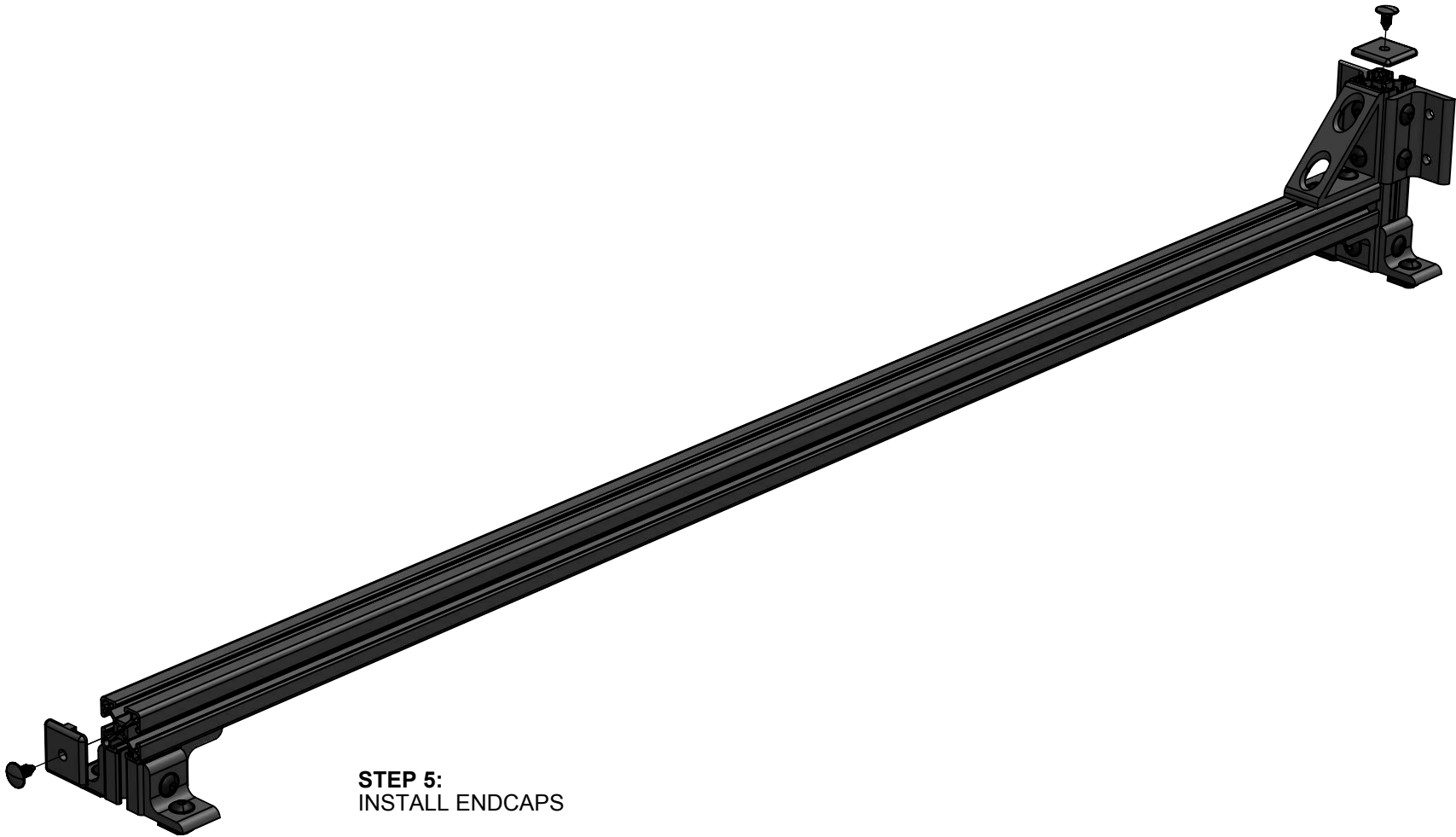


STEP 3:
INSTALL GUSSET BRACKET AND LONG EXTRUSION AND TIGHTEN



ENSURE SHORT EXTRUSION IS FULLY SEATED AGAINST LONG EXTRUSION

STEP 4:
INSTALL L BRACKETS ON SHORT EXTRUSION AND TIGHTEN
INSTALL ONTO LONG EXTRUSION AND TIGHTEN



STEP 5:
INSTALL ENDCAPS